

VBD SERIES BALL VALVES - DIN

I. FEATURES

- Hydraulic fluids
- Compressed Air
- Fuel oil system
- Pressure rating up to 500 bar (7250 psi)
- Positive stop with robust stop in
- Various end ports including DIN Standard port

II. MATERIAL OF CONSTRUCTION

Item	Component	Specification			
		Valve Body Material			
		SS316		Carbon Steel	
		ASTM	DIN	ASTM	DIN
1	Bar Handle	A479/ SS316	17440/ 1.4571	A108/ 12L14	1651/ 9SMn28K
5	Knob Handle				
6	Set Screw				
7	Ball	316 Stainless Steel			
8	Ball Seals	POM-MoS2 (Standard)			
9	Stem & Connector Seals	NBR (Standard)			
10	Handle	SS316		Carbon Steel	
11	Locking Device	Stainless Steel			

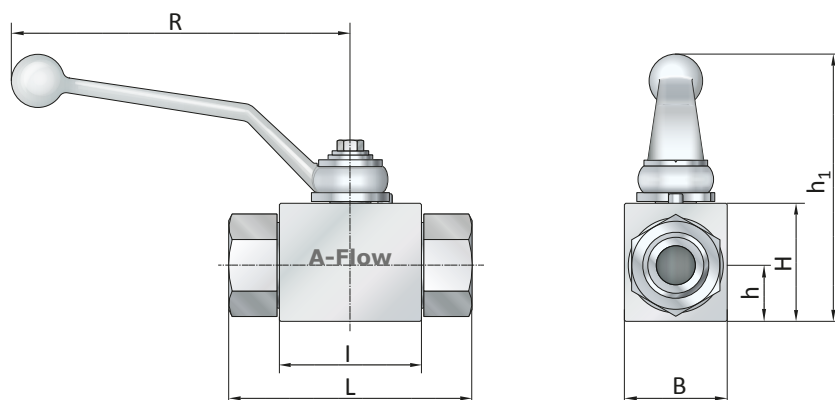
III. TEMPERATURE RATING

Stem and Connector Seals

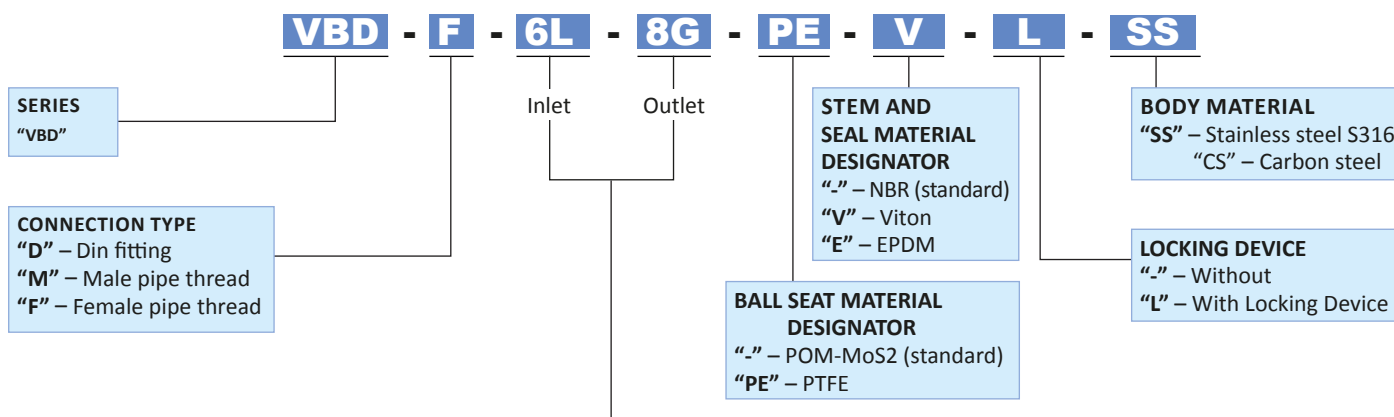
Material	Temperature Rating
NBR	-30°C to 100°C
Viton	-25°C to 200°C
EPDM	-50°C to 130°C

Ball Seals

Material	Temperature Rating
POM - MoS2	-30°C to 100°C
PTFE	-54°C to 232°C



IV. ORDERING INFORMATION



Fitting DIN 2353 for thin tube (L)											DIN Thread (ISO)							
6	8	10	12	15	16	18	22	28	35	42	1/8	1/4	3/8	1/2	3/4	1	1 1/4	1 1/2
6L	8L	10L	12L	15L	16L	18L	22L	28L	35L	42L	2N	4N	6N	8N	12N	16N	20N	24N
Fitting DIN 2353 for heavy tube (S)											2R	4R	6R	8R	12R	16R	20R	24R
6	8	10	12	14	16	20	25	30	38		2G	4G	6G	8G	12G	16G	20G	24G
6L	8L	10L	12L	14S	16S	20S	25S	30S	38S									

IV. TABLE OF DIMENSIONS

DIN 2353 Light Series (L)

Part Number	DN	PN	B	H	h	h1	L	I	I1	R
VBD1-D-6L	4	315	26	33	13,5	83	67	40	10	115
VBD1-D-8L	4	315	26	33	13,5	83	67	40	10	115
VBD2-D-10L	6	315	26	33	13,5	83	74	40	11	115
VBD2-D-12L	6	315	26	33	13,5	83	74	43	11	115
VBD3-D-15L	10	315	35	40	19	90	82	48	12	115
VBD4-D-18L	13	315	35	40	19	90	82	48	12	115
VBD5-D-22L	20	160	49	57	24,5	113	101	62	14	159
VBD6-D-28L	25	160	58	65	29,5	121	108	66,2	14	159
VBD7-D-35L	32	160	58	65	19,5	121	112	66,2	16	159
VBD8-D-42L	38	160	58	65	29,5	121	112	66,2	16	159

DIN 2353 Heavy Series (S)

Part Number	DN	PN	B	H	h	h1	L	I	I1	R
VBD1-D-6S	4	500	26	33	13,5	83	73	40	12	115
VBD1-D-8S	4	500	26	33	13,5	83	73	40	12	115
VBD2-D-10S	6	500	26	33	13,5	83	73	40	12	115
VBD2-D-12S	6	500	26	33	13,5	83	76	43	12	115
VBD3-D-14S	10	500	32	38	17,5	88,5	80	43	14	115
VBD4-D-16S	13	400	35	40	19	90	86	48	14	115
VBD5-D-20S	20	400	35	40	19	90	90	48	16	115
VBD6-D-25S	25	315	49	57	24,5	113	109	62	18	159
VBD7-D-30S	32	315	58	65	29,5	121	120	66,2	20	159
VBD8-D-38S	38	315	58	65	29,5	121	124	66,2	22	159

Female DIN/ISO 228/BSPP

Part Number	DN	PN	B	H	h	h1	L	I	I1	R
VBD1-F-2G	4	500	26	33	13,5	83	68,8	40	10	115
VBD2-F-4G	6	500	26	33	13,5	83	68,8	40	15	115
VBD3-F-6G	10	500	32	38	17,5	88,5	71,9	43	14	115
VBD4-F-8G	13	400	35	40	19	90	82,3	48	16,5	115
VBD5-F-12G	20	400	49	57	24,5	113	95,4	62	18	159
VBD6-F-16G	25	315	58	65	29,5	121	112,7	66,2	20	159
VBD7-F-20G	32	315	58	65	29,5	121	120	66,2	22	159
VBD8-F-16G	38	315	58	65	219,5	121	112,7	66,2	20	159

Female NPT (ANSI/ASME B1.20.1)

Part Number	DN	PN	B	H	h	h1	L	I	I1	R
VBD2-F-4N	6	500	26	33	13,5	83	68,8	40	15	115
VBD3-F-6N	10	500	32	38	17,5	88,5	78	43	15	115
VBD4-F-8N	13	400	35	40	19	90	104	48	20,5	115
VBD5-F-12N	20	400	49	57	24,5	113	102	62	21,5	159
VBD6-F-16N	25	315	58	65	29,5	121	119	66,2	25,4	159
VBD7-F-20N	32	315	58	65	29,5	121	130	66,2	25,4	159
VBD8-F-16N	38	315	58	65	29,5	121	119	66,2	25,4	159