

# VBA SERIES VALVES

## I. DESIGN FEATURES AND APPLICATIONS

### Applications

- VBA series valves are suitable for water, oil, gas, petrochemical and other fluids

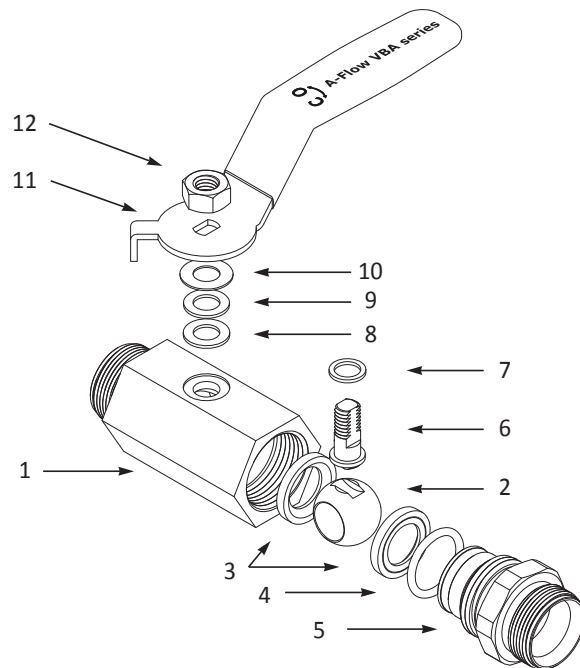
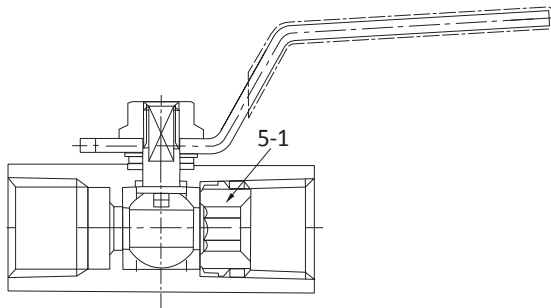
### Features

- Floating ball design
- Lever of butterfly handle
- Low torque for easy operation

## II. MATERIAL OF CONSTRUCTION

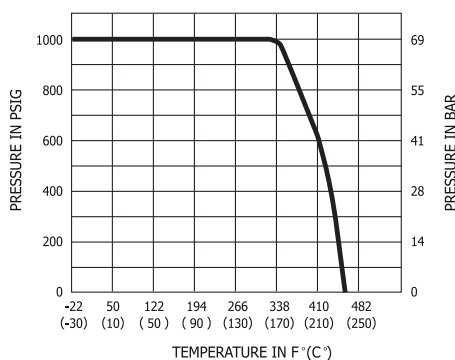
A-Flok tube fittings are available as standard in stainless steel, brass and monel. Straight fittings are machined from cold finished bar stock and shaped bodies from forgings. Special materials are available by request.

Item	Component	Material
1	Body	SS316
2	Ball	SS316
3	Seat	PTFE/TFM 1600
4	O-Ring	FKM
5	End connector	SS316
6	Ball valve stem	SS316
7	Lower packing	PTFE
8	Upper packing	PTFE
9	Gland	SS316
10	Gland washer	SS316
11-A	Handle	SS316 with coating (Red)
11-B	Handle	Zinc with nickel plating
12	Lock nut	SS316



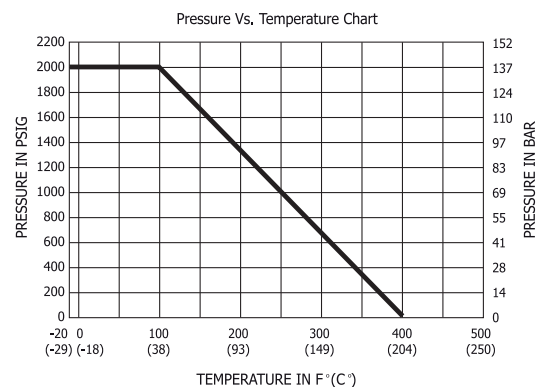
## III. PRESSURE-TEMPERATURE RATING

### Pressure-temperature curves



#### PTFE Seat

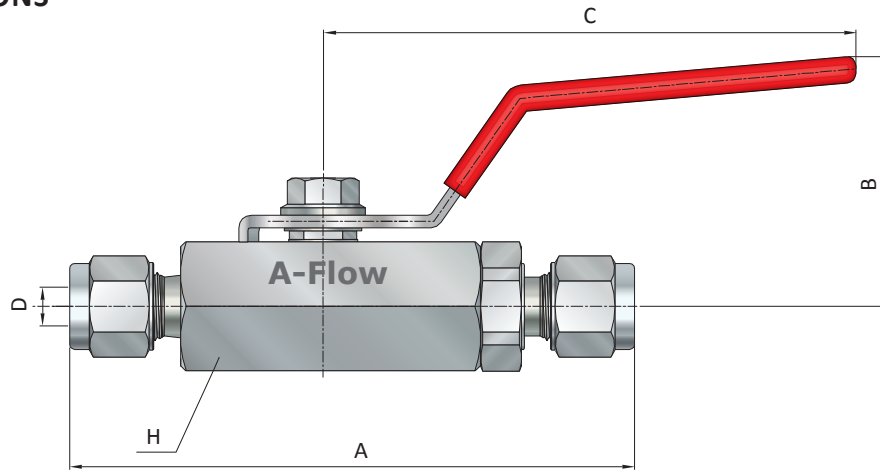
Body Material: Stainless and Brass



#### TFM 1600 Seat

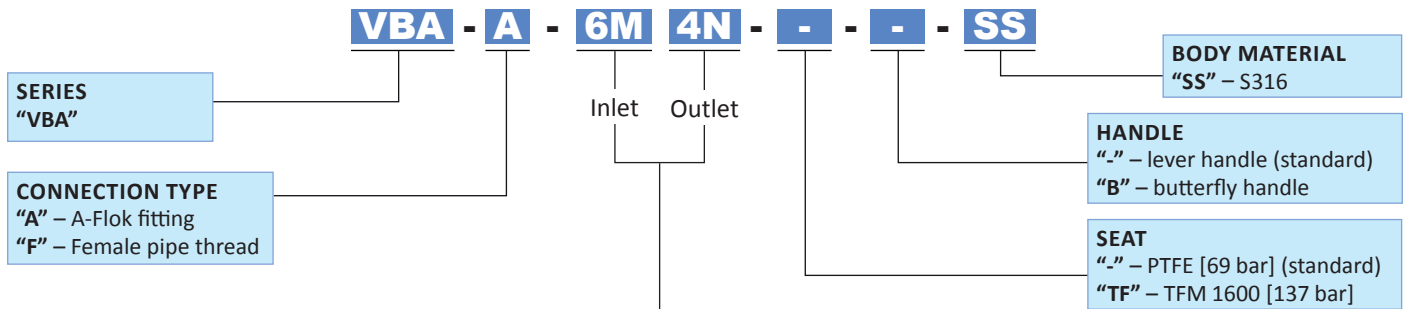
Body Material: Stainless

IV. TABLE OF DIMENSIONS



Basic Ordering Number	Tube diameter, mm	C <sub>v</sub>	End Connection Inlet / Outlet	Dimensions, mm			
				A	B	C	H
VBA-A-3M	5.0		3 mm A-Flok fitting	74.5	29	58	15
VBA-A-2T	5.0		1/8" A-Flok fitting	74.5	29	58	15
VBA-A-6M	5.0	0.84	6mm A-Flok fitting	79.5	31	60	17
VBA-A-4T	5.0	0.84	1/4" A-Flok fitting	79.5	31	60	17
VBA-F-4N	5.0	0.84	1/4" female NPT	40	31	60	17
VBA-F-4G	5.0	0.84	1/4" female BSPP	40	31	60	17
VBA-A-10M	7.5	4.20	10 mm A-Flok fitting	90	40	80	20.6
VBA-A-6T	7.5	4.20	3/8" A-Flok fitting	90	40	80	20.6
VBA-F-6N	7.5	4.20	3/8" female NPT	45	40	80	20.6
VBA-A-12M	9.0	6.50	12 mm A-Flok fitting	99	42	80	27
VBA-A-8T	9.0	6.50	1/2" A-Flok fitting	99	42	80	27
VBA-F-8N	9.0	6.50	1/2" female NPT	54.5	42	80	27
VBA-F-8G	9.0	6.5	1/2" female BSPP	54.5	42	80	27
VBA-A-16M	12.5	8.00	16mm A-Flok fitting	109	51	100	32
VBA-A-10T	12.5	8.00	5/8" A-Flok fitting	109	51	100	32
VBA-F-12N	12.5	8.00	3/4" female NPT	61	51	100	32
VBA-F-12G	12.5	8.00	3/4" female BSPP	61	51	100	32
VBA-A-12T	12.5	8.00	3/4" A-Flok fitting	110	51	100	32
VBA-A-16T	16.0	25	1" A-Flok fitting	134	55	100	38
VBA-F-16N	16.0	25	1" female NPT	76	55	100	38
VBA-F-16G	16.0	25	1" female BSPP	76	55	100	38
VBA-A-18M	12.5	8	18 mm A-Flok fitting	110	51	100	32
VBA-A-25M	16.0	25	25 mm A-Flok fitting	134	55	100	38
VBA-F-20N	21		1 1/4" female NPT	89.0	65	151.0	50.0
VBA-F-24N	24		1 1/2" female NPT	95.0	68	148.5	55.0
VBA-F-32N	32		2" female NPT	110.0	73	144.0	70.0

V. ORDERING INFORMATION



NPT (BSP) thread						A-Flok fittings										
Thread size	1/4	3/8	1/2	3/4	1	Tube (mm)	O.D. (mm)	6	8	10	12	14	16	18	20	25
NPT	4N	6N	8N	12N	16N		Code part	6M	8M	10M	12M	14M	16M	18M	20M	25M
RT (BSPT)	4R	6R	8R	12R	16R	Tube (inch)	O.D. (inch)	1/4	3/8	1/2	5/8	3/4	1			
G (BSPP)	4G	6G	8G	12G	16G		Code part	4T	6T	8T	10T	12T	16T			